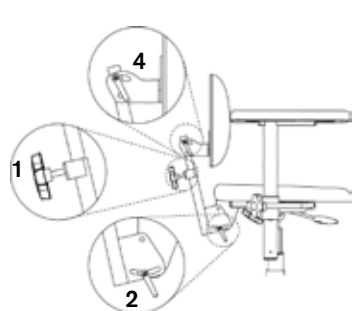


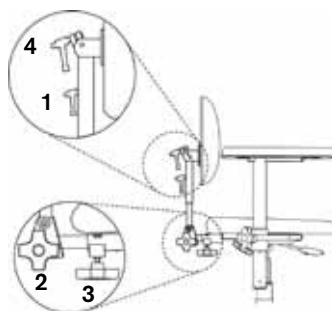
The REAL chair has exchangeable components, accessories and functions and can be adjusted to suit individual needs. The chair should only be used for that person and for the purpose for which it was originally intended. The chair is designed for use indoors and should not be exposed to water or other fluids or chemicals. Nor should it be exposed to high temperatures or long term intensive sunlight or other such exposure. The chair may not be equipped with other accessories or components than those approved by Mercado Medic AB. Repairs and other technical adjustments may only be carried out by personnel authorised by Mercado Medic AB. Please read through these instructions carefully before using your chair.

### Backrest

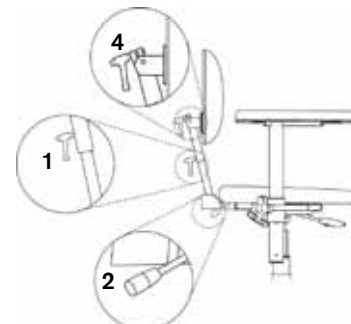
There are three types of back mechanisms: Standard, Medic and Comfort. The backrest is available in both a low and a high design (all the chairs illustrated show the low backrest design). All back mechanisms have separate adjustment controls for height (1) and angle (2). Loosen the knob, adjust to the desired height/angle and then lock the knob. On the Comfort model with a gas spring device, push the lever forward to change the angle. On the Medic model the depth can be adjusted by using the knob (3). The angle of the backrest itself can be adjusted by using the knob (4).



Standard



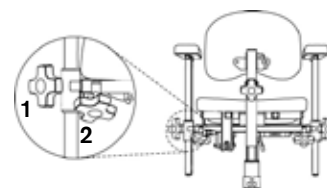
Medic



Comfort

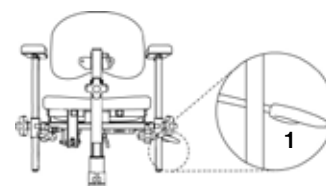
### Armrest

The armrests can be adjusted up or down and from side to side on the curve of the armrest. Loosen the knob to adjust the height (1) or the width (2), and then tighten the knob again.



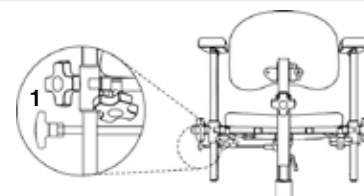
### Sitting height

The height of the seat is adjusted using the lever (1) on one side of the seat (standard right). Lift the lever to change the height. Note that light people may need a little assistance to raise and lower their chair.



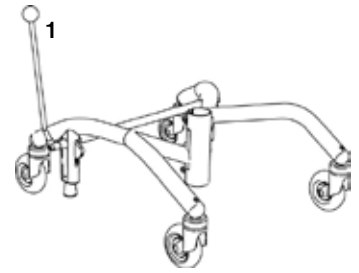
### Rotation accessory (option)

Chairs equipped with a rotation device can be manoeuvred using the knob (1). Turn clockwise to release and anti-clockwise to lock the device. Please Note! Rotation should be in the locked position when you sit down and stand up from your chair.



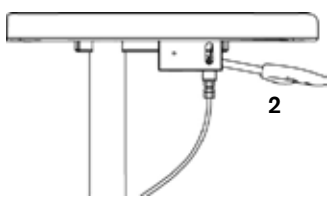
## Handbrake

The brakes are controlled with a lever (1). To lock: push the lever forward if the chair has a plus-frame 48 (adult), back if the chair has an plus-frame 43 (child). The brake lever can be moved to whichever side of the chair you prefer. Please Note! The brakes should always be on when you sit down or raise yourself from your chair. The brakes should be checked regularly. The rubber brake blocks can be replaced after wear and tear. Braking function may be impaired on an uneven surface.

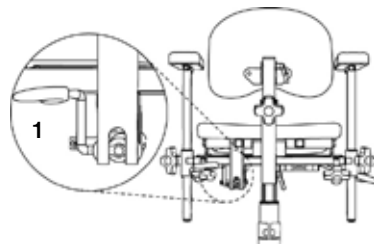


## Sitting angle (option)

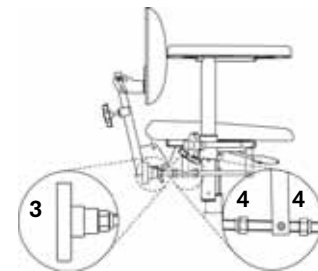
The angle of the seat is available in two designs: with a gas spring or a handle device. The gas spring control is situated in the back, left-hand edge of the seat (1) and is adjusted by pushing the lever forward carefully. The controls may also be placed under one of the armrests (2). The handle control for adjusting the angle of the seat is adjusted by turning the handle (3). The angle degrees may be adjusted by means of the nuts (4).



Gas spring under armrest



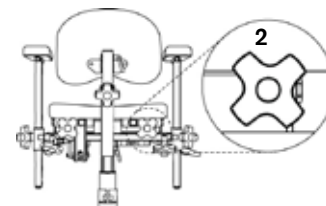
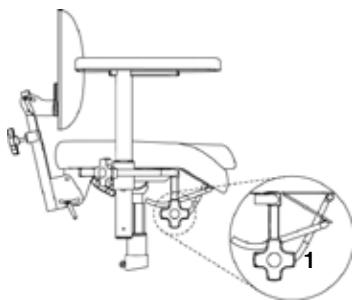
Gas spring under seat



Handle control

## Adjustment of the coxix flaps

There are two methods for adjusting the coxix flaps. On chairs with no seat angling the controls are placed under the seat (1). Loosen the relevant knob, adjust to the required angle and then tighten the knob. On chairs equipped with seat angling the controls are placed in the back edge of the seat (2). Turn the knob in a clockwise direction to lower the flap and in an anti-clockwise direction to raise it. The flap locks automatically when the knob is released.



## Cleaning and maintenance

The chair should be wiped clean and kept free from dust and grime. The upholstery may be washed with foam cleaner. The seat, backrest and other upholstered parts are for functional reasons not made of sealed materials. For reasons of hygiene, the seat base and padding material should always be changed whenever the upholstery is changed.

The Fixlyftomat automatic device should be checked regularly and kept free of dust and grime. Move the seat base to the highest position. Clean with a cloth. Do not use water or any cleaning fluids. Lubricate the cylinder with a thin layer of Teflon or a silicon based lubricant. These are not as messy as mineral based oils.

Any necessary tools, lubricants etc. for maintaining the chair may be ordered from Mercado Medic AB.