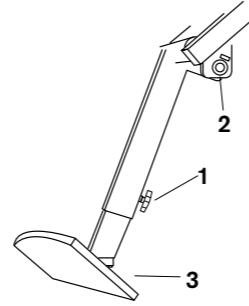


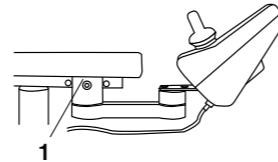
Foot-plate/leg position

The foot-plate can be adjusted for height and angle. To adjust the height of the footplate: loosen screw (1). Adjust the foot-plate to the required height and tighten the screw. NB: ensure that the screw enters one of the inner tube's countersunk depressions. The angle of the foot-plate is adjusted using screw (3) with a 5mm Allen key. To lower, turn the screw clockwise; to rise, turn the screw anti-clockwise. The leg position can be adjusted to four positions. Loosen and remove screw (2) with a 5mm Allen key. Set the required angle, return the screw into the relevant hole and tighten.



Adjustment of control box position

The control box can be adjusted for depth and sideways position. To adjust the depth, undo screw (1) with a 5mm Allen key. Move the control arm to the required position (out of three possible) and return the screw. The control box can also be moved sideways to either the inside or the outside of the armrest. The control arm is jointed at two points. This allows the control box to be moved horizontally and laterally without the use of tools. Push the control box into the desired position and it locks into position itself. The control box can be placed on either side of the chair.



Cleaning, maintenance and charging

The chair must be wiped and kept free from dust and dirt. The upholstery is cleaned with foam cleaner. The seat, backrest and other padded parts are, for functional purposes, not made of impermeable materials. For hygienic reasons, when the upholstery is changed, the seat and padding material should be replaced.

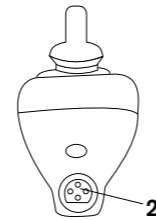
The electronic lifting device should be checked regularly for dust and dirt. Put the seat into its highest position. Clean with a cloth. Water or solvents may not be used. After this, lubricate the cylinder with a thin layer of Teflon- or silicon-based grease, which does not become over-viscous like greases based on mineral oils.

All the tools, grease etc. needed for proper maintenance of the chair can be ordered from Mercado Medic UK Ltd.

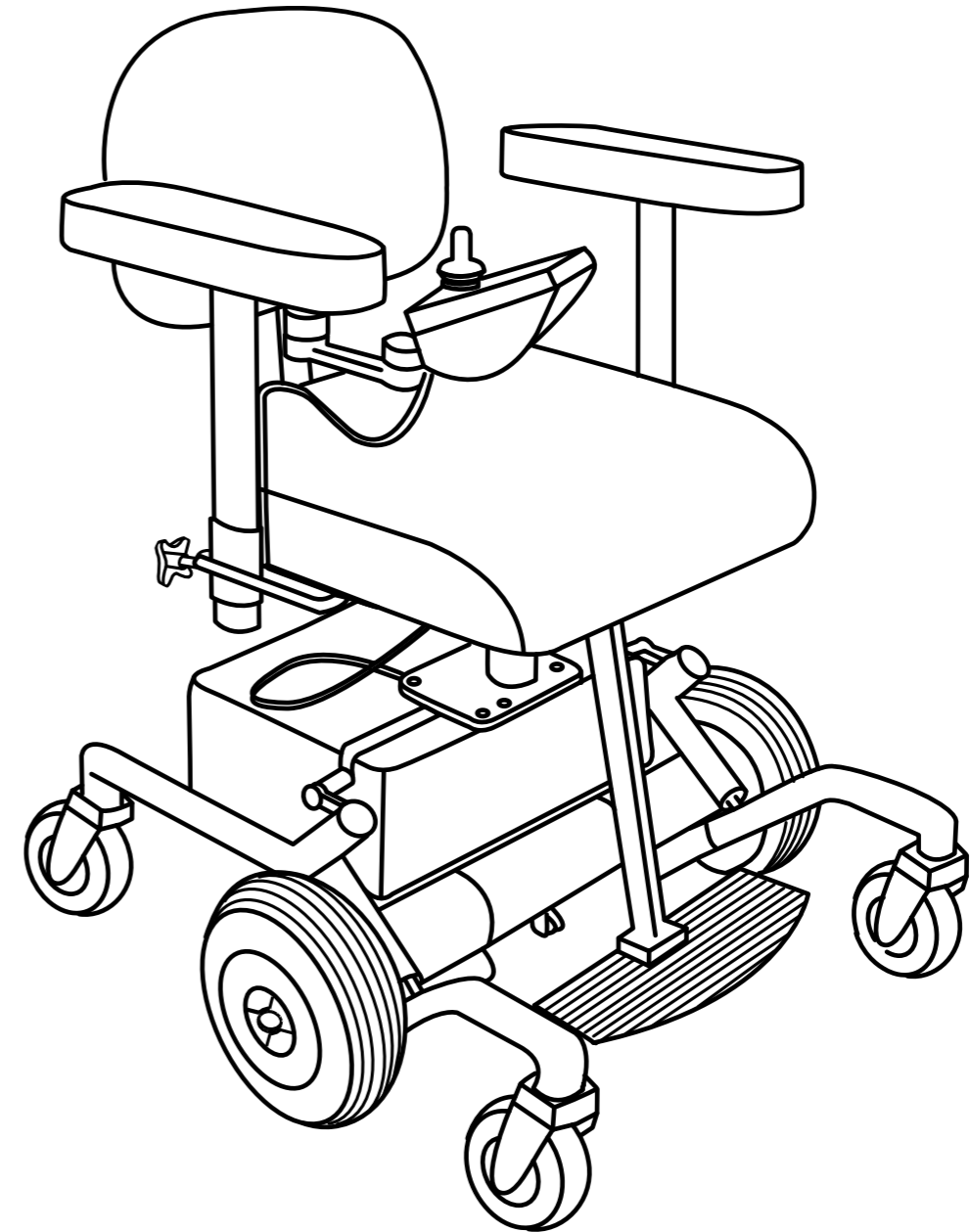
When exchanging battery be sure to connect the cable marked with a plus sign to the positive pole on the battery. The negative marked cable should be connected to the negative pole.

Guidelines when handling batteries:

Do not ever shortcircuit the battery. Do not throw it on the fire. Avoid heavy bumps to the battery. If exposed to battery acid, rinse immediately with water for at least 15 minutes then contact a doctor. Used batteries must be left at an environmental station.

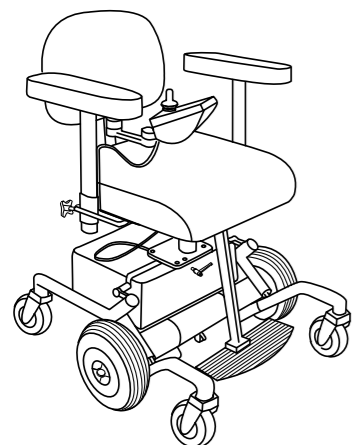


INSTRUCTIONS for USE and CARE REAL 5100





REAL® 5100	CE
Electrically powered wheelchair for indoor use for people with reduced functionality in the neck/back, in the legs and arms	
INSTRUCTIONS for USE and CARE	Artículo: April 2009



The REAL chair combines exchangeable components, accessories and functions, with adjustability to your individual requirements. The chair is only to be used by the person and for the purpose intended. The chair is designed for indoor use only and should not be exposed to water, other liquids or chemicals. It should not be exposed to high temperatures or long periods of intensive sunlight or other radiation. The chair shall not be fitted with accessories or components other than those approved by Mercado Medic UK Ltd. Repairs and other technical measures may only be carried out by personnel authorized by Mercado Medic UK Ltd. Please read the instructions carefully before using the chair.

Important information

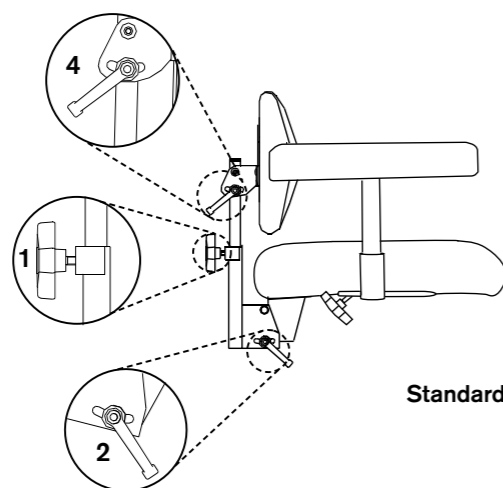
REAL 5100 belongs to class A and is only to be used indoors
Max user weight: 130 kg.

REAL 5100 are tried and approved according to the EMC-directive.
Cell phones do not compromise the REAL 5100 driving quality.

REAL 5100 can influence electromagnetic fields.

Back rest

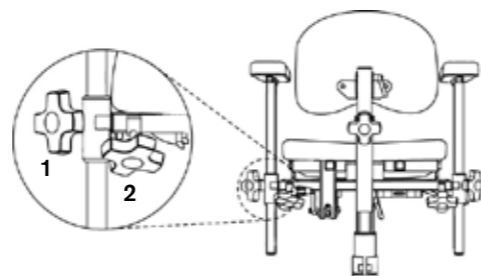
The backrest mechanism is called Standard. The backrest is available in a low design. The backrest mechanism has separate adjustment controls for height (1) and angle (2). Loosen the knob, adjust to the desired height/angle and then lock the knob. In the high position the angle of the backrest itself can be adjusted by using the knob. (4).



Standard

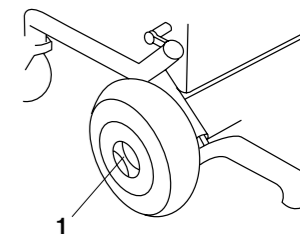
Armrests

The armrests can be adjusted in height and width on the curve of the armrest. Loosen the knob to adjust the height (1) or the width (2), tune in the desired width/height and then tighten the knob again.



Brake release

Disengaging the brake enables the chair to be moved manually. Turn the maneuver plate (1) on both wheels a quarter turn anti-clockwise to disengage the brakes. If it is difficult to turn the maneuver plate, try moving the chair backwards and forwards a little. To re-engage the brakes, turn the plate (1) on both wheels a quarter turn clockwise and roll the chair carefully until the brakes are engaged with an audible "click". NB: On no account must the main switch be on when the brakes are disengaged. The brakes must never be engaged using the motor. The chair must never be transported with the brakes disengaged.



Control panel, manoeuvring the chair

Manoeuvring Driving:

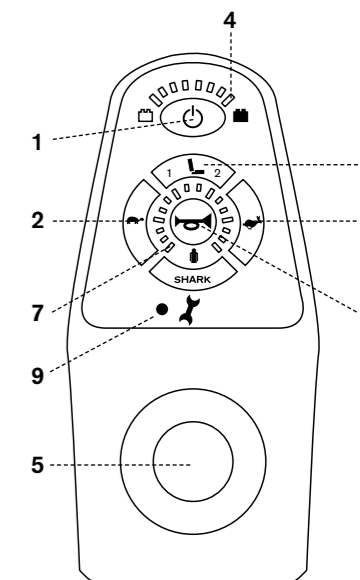
Turn on power switch (1). Check battery level (4). The battery level should not be down in the red area. (See "charging"). Make sure that the service indicator (9) is not signaling.

Driving:

Before driving the chair make sure that the indicator for seat function (6) is turned off. When driving the chair for the first time, begin with a low speed and increase gradually until you reach a comfortable pace. To lower the speed push the button marked with a turtle (2), and to increase the speed push the button with the rabbit (3). To finely adjust the speed press the button (2 or 3) until the desired speed shows on the speed indicator (7).

Manoeuvring Seating Unit:

To adjust the seating unit, push the button (6). One push lights up function 1, with an additional push the status swaps to function 2. Raising/lowering always maneuvers with function 1. To raise or to lower the sitting height pushes the joystick front/back. Function 2 is activated if the chair has yet another electrical function. To return to the driving position push the button (6) one more time so that function 1 and 2 goes out.



Control panel SHARK 802881

When the chair's electrical function is not used for five minutes, it shuts off automatically in order to save battery.

In order to start the electronics, press power switches (1) or touch the joystick (5).

The time interval for turning off is adjustable.

Signal horn: Press button (8).

Locking function:

The electronics must be turned on when locking/unlocking, hold down the power switch (1) for about 4 seconds. The control panel shuts down. After 4 seconds all the LED will shine for a moment and a sound will come from the signal horn. Following the control panel will shut off and lock.

Unlocking function:

When the control panel is locked: push the power switch to turn on the electronics. All the LED will light up and slowly count down from right to left. Press the 'signal horn' button (2) two times before the battery level indicator is turned off. You have about 10 seconds to do so. After that the current battery level is shown and your REAL 5100 is ready to be used.