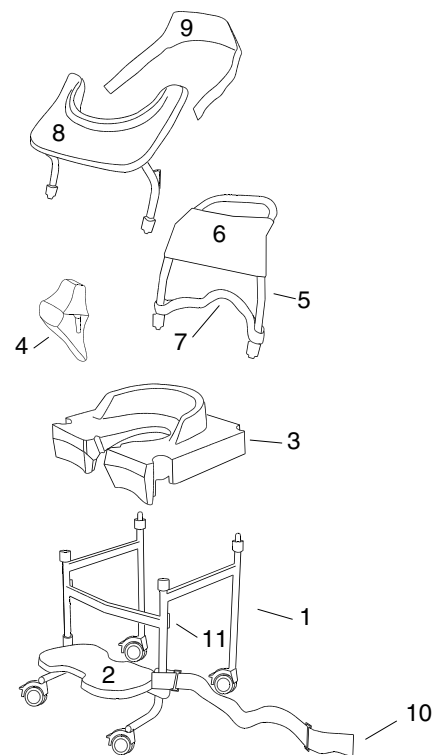


*Team Lazy has exchangeable components, accessories and functions with adjustment options for individual requirements. The chair should only be used by the person and for the purpose for which it was originally intended. The chair may not be equipped with accessories or components other than those approved by Mercado Medic AB. Repairs and other technical adjustments may only be carried out by personnel authorised by Mercado Medic AB. Follow the instructions for care and cleaning. Read the instructions for use carefully before using the chair.*

## Assembly

The assembly of Team Lazy is simple and can be done completely without the use of tools:

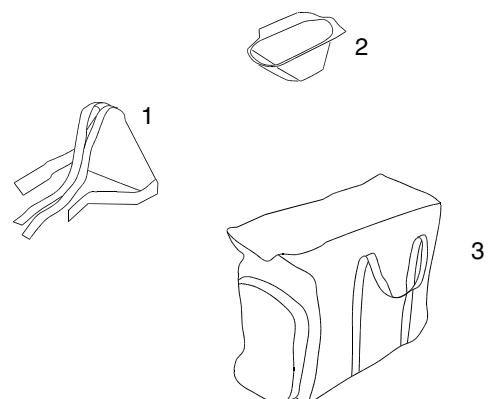
1. Take out the frame (1). Ensure that the footrest (2) is facing forwards.
2. Place the seat (3) with the opening towards the front of the frame.
3. Attach the splash guard/abduction support (4) at the front of the seat.
4. Attach the push handle (5) into the quick release devices at the back.
5. Pull the back cover (6) over the push handles.
6. Make sure that the safety strap (7) is in place.
7. Assemble the trunk support (8) into the quick release devices at the front of the frame.
8. Assemble the back harness (9) through the metal eyes of the trunk support.
9. Make sure that the calf strap (10) is in place. Either attached to the eyes (11) or to the tubing underneath, depending on how long the user's legs are.



## Accessories

There are three different accessories which enable easy use of Team Lazy:

1. The H-harness (1) provides extra support for the person who has difficulty sitting still.
2. The pot (2) can be used when the toilet is not available. The chamber pot can be pushed into the back edge of the seat. Please note that the splash guard/abduction support should be removed when the chamber pot is in place.
3. The transportation bag (3) for carrying and keeping the unassembled Team Lazy in.



## Use

Follow these instructions before placing the user on the Team Lazy chair:

1. Put the brakes on and loosen the trunk support on whichever side is most suitable. Do not remove the trunk support completely, push it to one side.
2. If you cannot lift the user over the splash guard/abduction support, then remove it.
3. Place the footrest at a suitable height and push it up.
4. Place the user on the seat and replace the splash guard/abduction support if this has been removed.
5. Push the torso support back into place. Lock the quick release device. Let the user rest against the torso support.
6. Place the back harness over the back of the user and then assemble the harness in the torso support. Tighten the harness securely.
7. Fold down the footrest. Place the feet on the footrest.
8. Adjust the footrest to the correct height. Try to ensure that the user's knees are as close to the trunk support as possible.
9. Tighten the calf strap across the legs.

Team Lazy is used in the following way for the toilet:

1. Lift the splash guard/abduction support.
2. Roll the Team Lazy backwards over the toilet seat.
3. Assemble the splash guard/abduction support.
4. Fasten the safety strap around the toilet seat.

### Please note!

The user should never lean against the push handles. The back harness should always be used to ensure safety. Ensure that the user always leans forward. The brakes should always be on when sitting down on and getting up from the chair. Never leave a user in the chair unsupervised.

## Cleaning and maintenance

Wash the woven material of the harness and straps in the washing machine at 40 degrees. The frame does not rust but should be cleaned using a cleaning fluid such as Ajax Express or similar with a cloth. The plastic details in the seat, the trunk support and the splash guard/abduction support can be cleaned in the same way as the frame. The plastic parts may also be rinsed in hot water up to 80 degrees. Please note that the seat should be assembled in the frame after cleaning in hot water to avoid warping as it cools.

## Seat and trunk support sizes

The seat and trunk support for Team Lazy are available in various sizes depending on the weight and age of the user. If a child has grown out of the seat and trunk support, you can order a new one from Mercado Medic AB. All seats and trunk supports fit the frame.

Age	2-5 years	4-10 years	8 years-60 kg
Seat (depth x width in cm)	24x17 (Small)	37x30(Medium)	44x36 (Large)
Trunk support (height above seat in cm)	19	24	24

