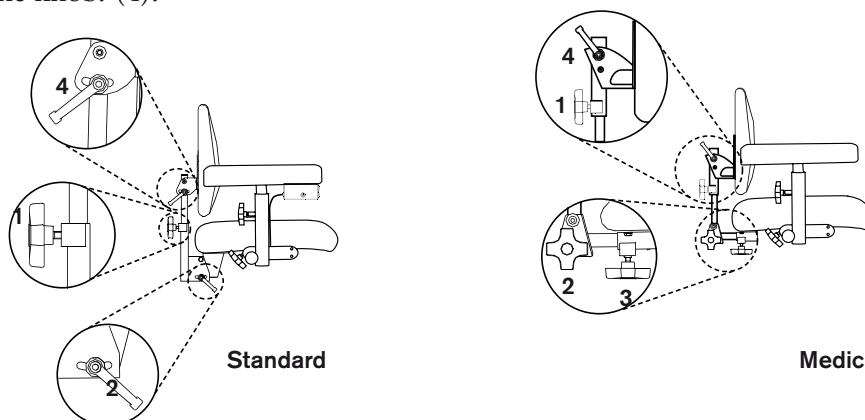


The REAL chair has exchangeable components, accessories and functions and can be adjusted to suit individual needs. The chair should only be used for that person and for the purpose for which it was originally intended. The chair is designed for use indoors and should not be exposed to water or other fluids or chemicals. Nor should it be exposed to high temperatures or long term intensive sunlight or other such exposure. The chair may not be equipped with other accessories or components than those approved by Mercado Medic AB. Repairs and other technical adjustments may only be carried out by personnel authorised by Mercado Medic AB. Please read through these instructions carefully before using your chair.

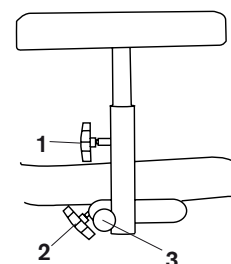
Backrest

There are two types of back mechanisms: Standard and Medic. All back mechanisms have separate adjustment controls for height (1) and angle (2). Loosen the knob, adjust to the desired height/angle and then lock the knob. On the Medic model the depth can be adjusted by using the knob (3). The angle of the backrest itself can be adjusted by using the knob. (4).



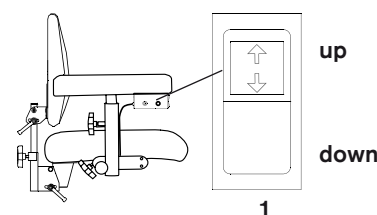
Armrest

The armrests can be adjusted up or down and from side to side on the curve of the armrest. Loosen the knob to adjust the height (1), the width (2) or the curve (3) and then tighten the knob again. The device is automatically locked when the armrest is adjusted to it's upright position. The automatic lock can be prevented by turning the knob (3) a quarter of a circle.



Sitting height

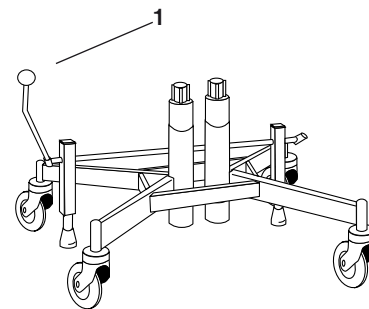
The sitting height is adjusted using the toggle-switch (1) under one of the armrests. To raise the seat press the upper part of the switch, to lower the seat press the lower part of the switch.



Hand brake

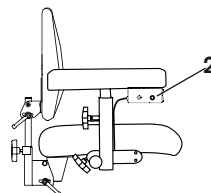
The brakes are controlled with a lever (1). To lock: push the lever forward. The brake lever can be moved to whichever side of the chair you prefer.

Please note! The brakes should always be on when you sit down or raise yourself from your chair. The brakes should be checked regularly. The rubber brake blocks can be replaced after wear and tear. Braking function may be impaired on an uneven surface.



When using electrical brake:

Hold down the button (2) at least one second.



Cleaning and maintenance

The chair must be wiped clean and kept dirt and dust free. Clean the upholstery with foamwash

1. Remove dirt, crumbs etc.
2. Apply a thin layer of foam, use a moist cloth to wipe the foam in an equally thick layer.
3. Swab with a clean and damp cloth.
4. Vacuum when dry

The seat, back support and other upholstered parts are not made from sealed materials for functional reasons. For hygienic reasons, whenever the upholstery is replaced, the seat and upholstery filling must also be replaced.

The electric lifting device must be checked regularly for dirt, dust and stability: Move the seat up to the highest position. Clean with a dry cloth. Do not use water or solvents. Lubricate the cylinder with a thin film of teflon- or silicon-based grease.

Use only Battery charger REAL 9000 Model 2240-12V, item no. 802289 when charging the chair.

If another battery charger is desired, contact Mercado Medic AB for a written approval.

The battery should be charged regularly; if possible once a day. It is important that the battery is never completely discharged.

CHARGING (FOR ELECTRIC CHAIR)

Connect the charger contact (1) into the socket on the box where the toggle-switch for raising and lowering the seat is situated. Then plug in the charger (2) to the wall socket or power point. The light on the charger indicates when charging is taking place. The battery is fully charged when the LED color changes from yellow to green. Only chargers designed for REAL chairs may be used. The chair's electrical functions cannot be used while charging is in progress.

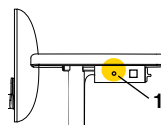
Note!

Charging the battery is particularly important for those chairs which have electric brake, electric tilt and electric backrest, because these functions require high battery capacity to work and to not lose function.

Avoid this by charging once a day. When replacing battery (Model designation: HP7-12 12V 7.2Ah), make sure to that the plus battery cable is connected to the plus pole of the battery, and the minus cable to the minus pole. If the chair's electric functions stop working it is most probably due to a blown fuse. Check the fuses in the fuse holders that are located under the seat on the cable between the battery and the actuator. Replace the blown fuse with a new 25A fuse.

Pay attention to the following when handling batteries:

Never short-circuit the battery • Don't expose the battery to heavy bumps or open fires. If you come into contact with battery acid, rinse with water for 15 min. Contact a doctor. • Dead batteries must be handed in to recycling stations. Used batteries should be disposed at appropriate recycling facilities.



Charger art.no 802289



Mercado Medic AB
Tryffelslingan 14
181 57 Lidingö
Sweden

Telefon & Fax
Tel +46 8 555 143 00
Fax +46 8 555 143 99

Email & Internet
Email info@mercado.se
Internet www.mercado.se