

# ASSEMBLY INSTRUCTIONS

Click on desired assembly instruction, or scroll down.

Contents	Page
Leg support adapter	2
Medic leg supports/Knee stops	3
Table	4
Replacing brake foot, older chairs	5
Replacing Fixlyftomat	6
Trunk support	7
Bracket for amputationsupport/amputation support	8
Gas spring adapter	9
Changing a wheel	10
Hip belt	11
Handles	12
Fork wedge	13
Neck support	14
Side support	15
Lever for seat angling	16
Stop ring for armrest	17
Frame extender	18
Pivoting and adjustable side support	19
Folding foot ring	20
Replacing lock screw	21

### Item number

ADAPTER PAIR		ADAPTER RIGHT		ADAPTER LEFT	
800794	Adapt	800795	Adapt	800796	Adapt
802091	Comfort	802076	Comfort	802075	Comfort
801600	Cross	801237	Cross	801236	Cross
800793	Meyra	801988	Meyra	801989	Meyra
800787	Ortopedia	800788	Ortopedia	800789	Ortopedia
800790	Spinner	800791	Spinner	800792	Spinner

### Required tools

800897 T-bar (Allen key, 5 mm)

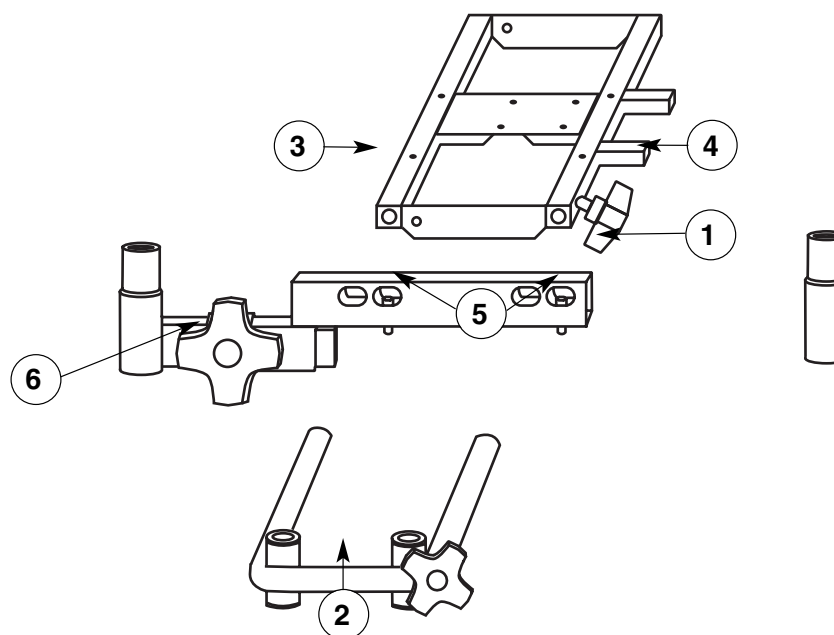
### Assembly

Fit the adapter (1) on the left or right armrest frame (2) in the front or rear holes, depending on the size of the seat. **Note: The oval holes must be positioned away from the chair.**

Attach the armrest frame (2) onto the seat frame (3).

Adjust to the correct armrest width and lock in position using the adjusting knob (4).

Then lock the adapter in the correct position by tightening the screws (5) using the T-bar.



**Item number**

- 800803 Bracket for leg support, large seat (depth 48) (1)  
 800801 Bracket for leg support, small seat (depth 35-43) (7)  
 800808 Medic leg support, split, L      800805 Medic leg support, split, M  
 800804 Medic leg support, split, S      800811 Medic leg support, split, XL  
 284380 Knee stops, 15x8 cm      800930 Knee stop mechanism, r, cmpl  
 800929 Knee stop mechanism, l, cmpl      800928 Knee stop mechanism, r + l, cmpl.

**Contents**

- 1x leg support bracket  
 1x set of required screws, nuts and washers/insert nuts for wood

**Required tools**

- Allen key, 5 or 6 mm  
 Ring spanner, 13 mm  
 Cross-slot screwdriver  
 T-bar (Allen key, 5 mm)

**Assembly**

Fit the leg support bracket (1) or (7) using two M8s through the holes (2) on the bracket and through corresponding holes on the front of the seat frame (3). Note that if the chair angle is adjustable, the bracket is fitted to the top part (3) of the seat frame, although if the angle cannot be adjusted then the bracket is fitted to the actual seat frame (4).

Lock using a lock nut. Washers must be used on both sides.

Attach the leg support bracket for a large seat (1) by:

Measure using the leg support bracket (1), mark the holes on the seat.

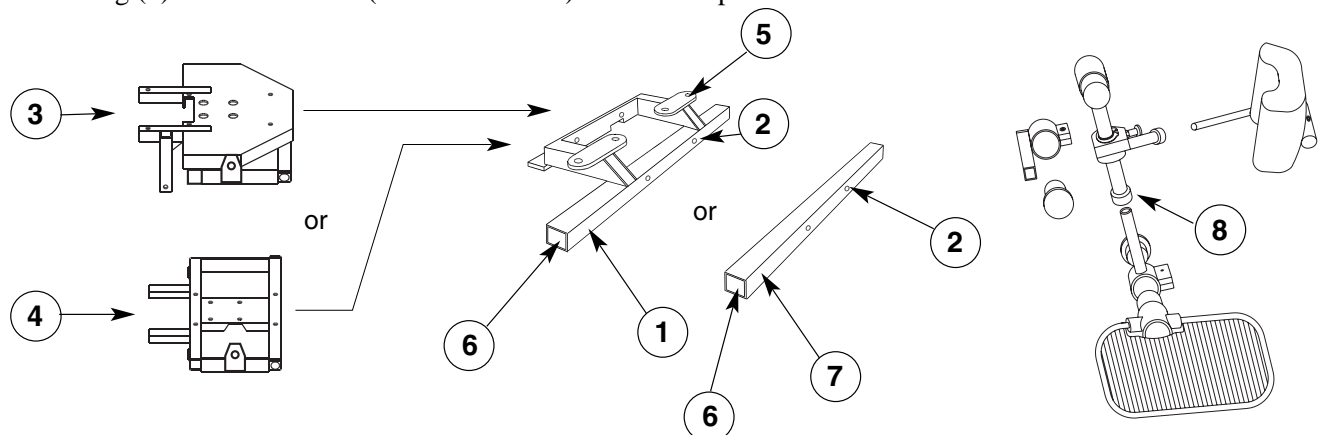
Drill 10 mm holes through the seat.

Then fit the insert nuts provided.

Then screw the leg support bracket (1) into position by tightening screws in the holes (5).

Medic leg supports are then fitted in the openings (6).

The ring (8) must be undone (**Note:** 2x screws) for knee stops to be fitted.



**Item number**

800820 Bord till REAL-stolen

**Contents**

1x table with assembly parts

**Required tools**

T-bar (Allen key, 5 mm)

**Assembly**

The table is fitted on the left armrest frame. The table rests on the armrests.

Lift the armrest tube (8) up out of the width adjustment clamp (7). Fit the clamps (1) on the armrest tube. Replace the armrest tube.

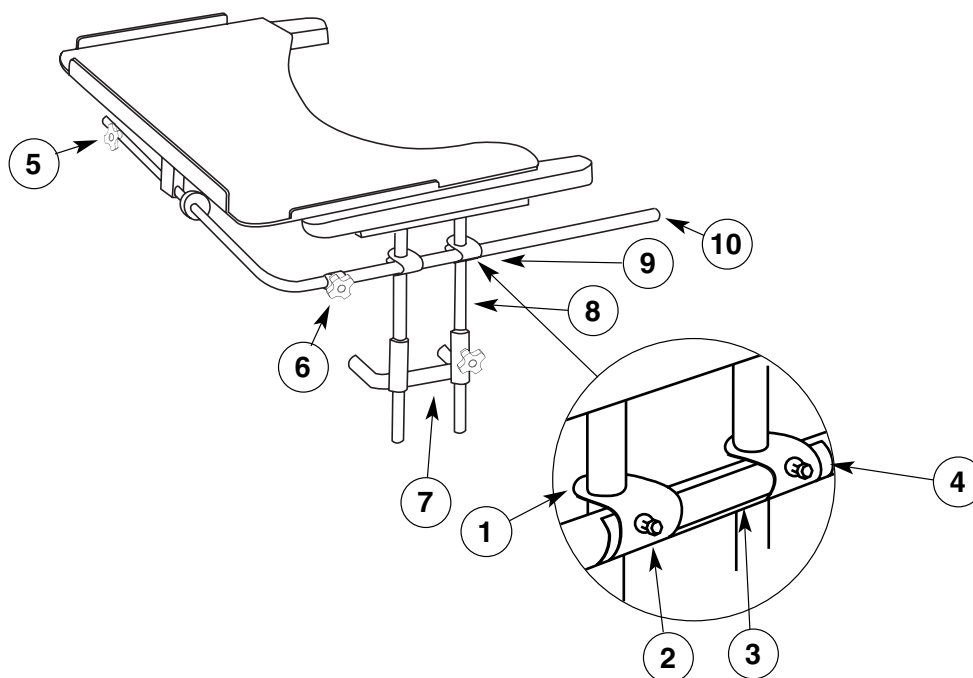
Push the table's attachment tubes (9) into the clamps. Make sure that the plastic shims (3) are positioned correctly and that the safety plate (4) is positioned between the screws (2).

Adjust the attachment tube so that the spring stop (10) points straight up when the table is folded to one side and the slot in the attachment tube acts as a stop. Tighten the screws. The table is folded by undoing the adjusting knob (6) and pulling the frame forwards until it makes contact with a stop in the attachment tube. The table can then be folded to one side.

The adjusting knob (5) is used to adjust the table location laterally.

Note: 1 The plate (4) must be positioned between the tube and the screws.

Note: 2 If the table is used on a chair with manual angling, the table will move with the seat when it is angled.



**Item number**

801783 Bromsfötter för REAL 4000 &amp; REAL 1000.

**Contents**

4x washers

2x brake feet

**Required tools**

Ring spanner, 9/16" or Allen key, 5/16"

Loctite 243

**Assembly**

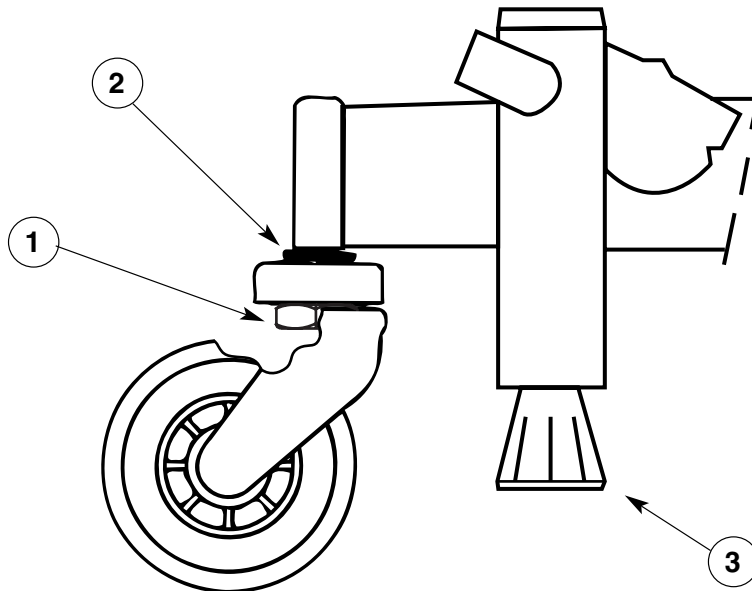
Undo the screw (1) in the wheel assembly using the 9/16" ring spanner or 5/16" Allen key. Remove the wheel.

Apply Loctite 243 to the screw thread and fit the wheel on the frame, with the washer (2) between the frame and the wheel assembly.

Tighten the screw (1). Repeat for the other wheels.

Cut off the old brake feet (3).

Damp down the new brake feet (3) and press them into position.



### Item number

801045	Fixlyftomat 140 mm High, press with aluminium bracket
801041	Fixlyftomat 140 mm Low, press with aluminium bracket
801037	Fixlyftomat 140 mm Stand, press with aluminium bracket
801033	Fixlyftomat 200 mm High, press with aluminium bracket
801029	Fixlyftomat 200 mm Low, press with aluminium bracket
801025	Fixlyftomat 200 mm Stand, press with aluminium bracket

### Contents

1x Fixlyftomat with bracket (1)  
 4x lock nuts M8 (2)

### Required tools

T-bar (5 mm Allen key)  
 6 mm Allen key  
 10 mm ring spanner

### Assembly

Firstly, remove the Fixlyftomat (1) from the frame by undoing the two screws located on the centre tube on the frame, and hold the Fixlyftomat in position.

Unscrew the seat (3) from the seat frame by undoing the four screws (4) located in the seat frame.

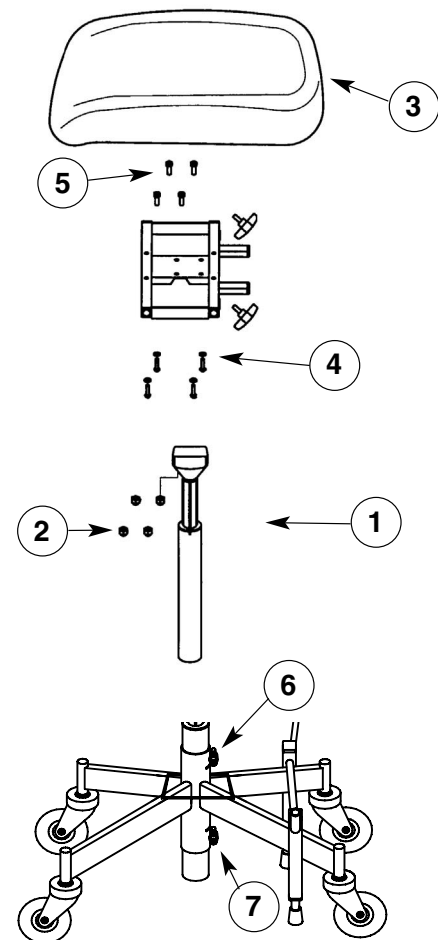
Remove the Fixlyftomat by undoing the screws (5) which, together with the lock nuts, (2) hold the seat frame to the Fixlyftomat.

Fit the control lever.

Then fit the new Fixlyftomat in reverse order. Replace the lock nuts (2) with new ones.

Tighten the screws in the frame to a torque of **16 Nm** (6) for the upper screw and **24 Nm** (7) for the lower one.

Check that the Fixlyftomat can be raised and lowered, and that it is attached securely.



**Item number**

801579	Trunk support kit, straight frame
801580	Trunk support kit, rounded frame
280XX0	Trunk support cushion, 15x13 cm

**XX colour codes can be found in the price list and tryoutforms.**

**Contents**

2x trunk support  
2x trunk support brackets  
1x set of required screws

**Required tools**

T-bar (Allen key, 5 mm)  
Cross-slot screwdriver/Screwdriver

**Assembly**

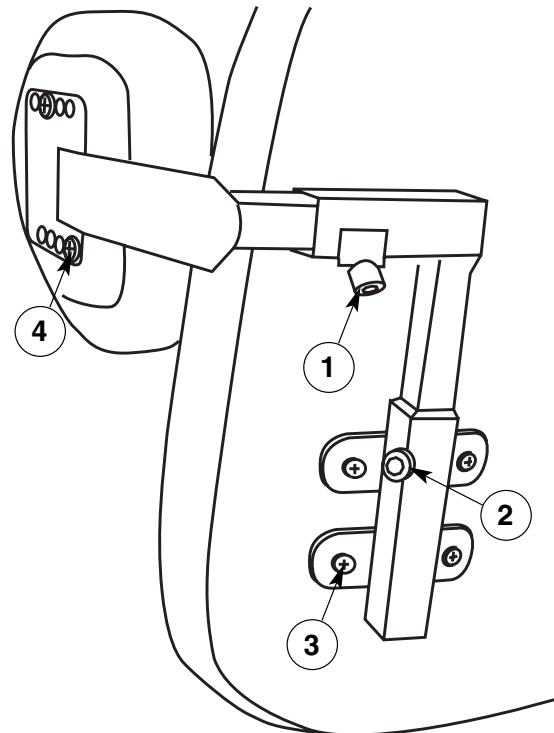
Assemble the trunk support as shown in the illustration.

Screw in the screws (4) on the side of the trunk support pad that is provided with rivets.

Place the user in the chair and try out suitable positions for the trunk support.

Then screw the trunk support brackets to the backrest using the screws (3).

The trunk support is height-adjusted using the screw (2), or adjusted laterally using the screw (1). The depth of the trunk support plate can be adjusted by moving the screws (4) to different holes in the frame.



**Item number**

800786	Bracket for amputation support
274XX0	Amputation support cushion 25x21 cm
800827	Amputation support mechanism, no bracket

**XX colour codes can be found in the price list and tryoutforms.**

**Contents**

1x bracket for amputation support  
 2x sets of required screws, nuts and washers

**Required tools**

Allen key, 6 mm  
 Ring spanner, 13 mm

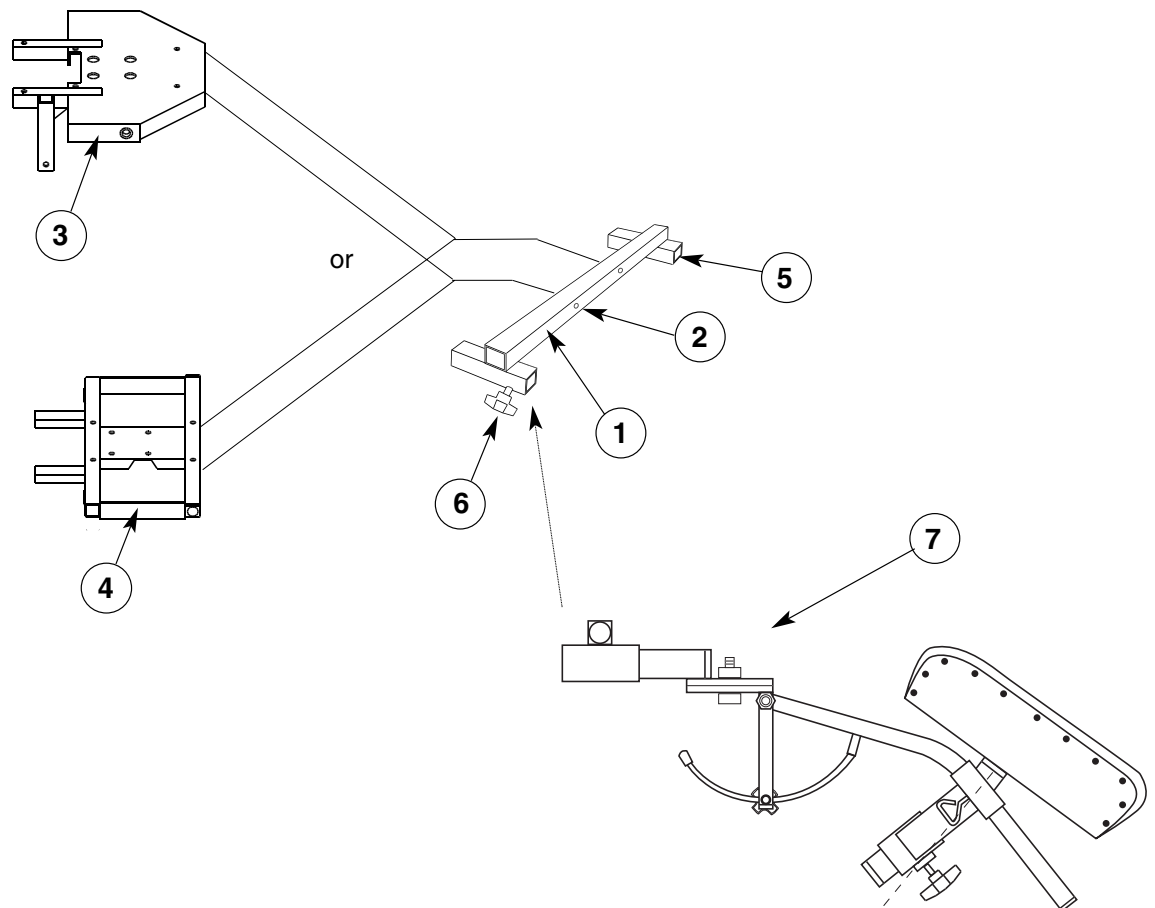
**Assembly**

Fit the bracket for the amputation support (1) using two M8s through the holes (2) on the bracket and through corresponding holes on the front of the seat frame.

Note that if the chair angle is adjustable, the bracket is fitted to the top part (3) of the seat frame, while if the angle cannot be adjusted then the bracket is fitted to the lower part of the seat frame (4).

Lock using a lock nut. Washers must be used on both sides.

The amputation support (7) is fitted in the openings (5) and locked using the adjusting knobs (6).



### Item number

- 801048 Gas spring adapter for use with gas spring:  
 801148 user weight 55-90 kg  
 801150 user weight >90 kg

### Contents

- 2x adapter plates (1)  
 4x furniture nuts (2)  
 3x threaded rods (3)  
 2x furniture nuts (4) with 2x washers (5)  
 1x spacer (6)

### Required tools

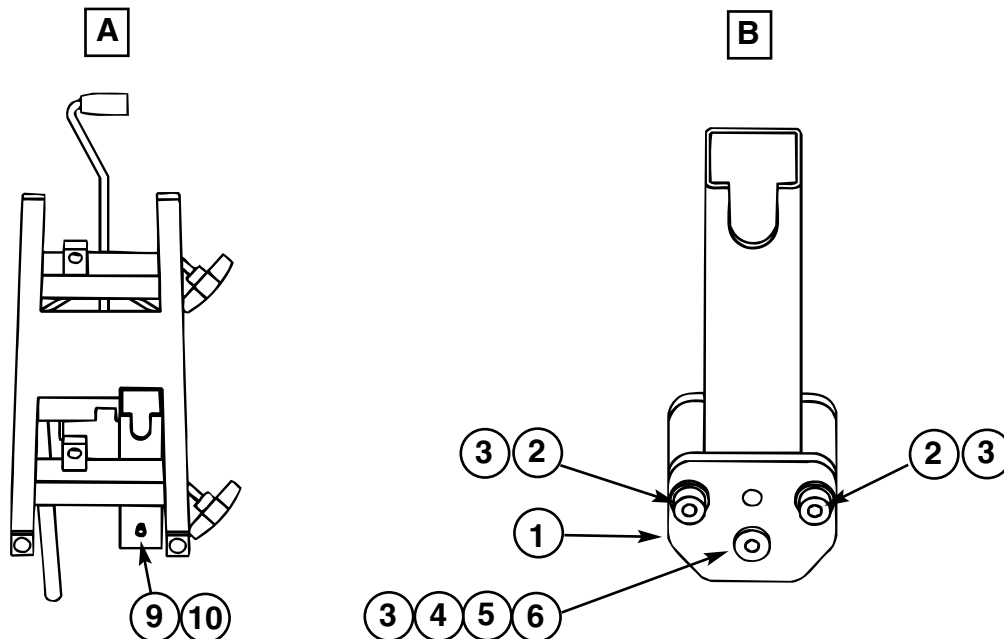
- 2x T-bars (Allen key, 5 mm)  
 1x lock washer rod  
 1x Allen key, 6 mm  
 1x ring spanner, 13 mm

### Assembly

Start by removing the old gas spring. Remove the lock washer (9) (figure a) followed by the shaft (10) which holds the old gas spring in position from the upper bracket.

Then fit the gas spring adapter as shown in figure B. The pins on the adapter plates fit into the holes where the old gas spring was mounted. Adjust the plates so that they sit straight before tightening.

Then fit the gas spring using the same shaft and lock washers in the upper bracket as before, and also using the threaded rod, the spacer, the washers and the furniture nuts in the lower bracket.



### Item number

801213	Wheel M12 100 XL (REAL 9000)
800902	Wheel 3/8 100 XL (REAL 1000-4000)
800901	Swivel castor 100 SL 3/8"
801282	Swivel castor 100 Grey M12
802241	Swivel castor 100 Grey 3/8"
800910	Swivel castor 100 Lockable M12
802066	Swivel castor 100 mm ESD M12
801144	Swivel castor 100 SL M12
800903	Swivel castor 100 XL, M12 slow
800900	Swivel castor 75 mm

### Contents

- 1 wheel complete
- 1x M12 screw with washer or 1x 3/8" screw with washer

### Required tools

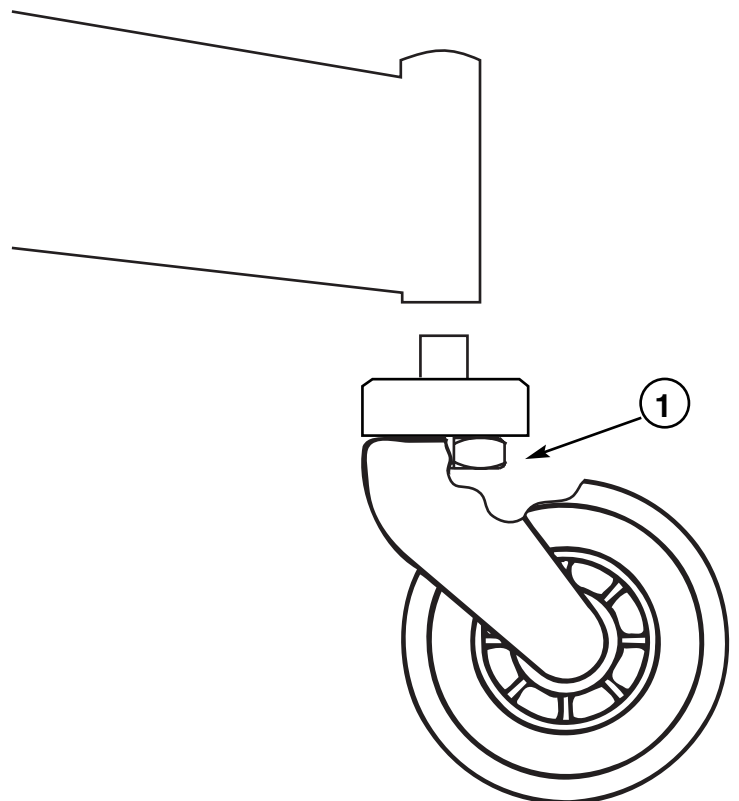
- Ring spanner, 18 mm or 19 mm, or 9/16"
- Loctite 243

### Assembly

To remove the old wheel, use a 19 mm ring spanner (for Real 9000 chairs) or a 9/16" ring spanner (3/8 bolts are used for REAL 1000-4000).

Alternatively, you can remove the wheel using two Allen keys (5 mm) and then unscrew the old clamp using a box spanner, for example.

Then fit the new wheel. The bolts are glued using Loctite 243 and tightened to **80-90 Nm**.



**Item number**

802296	Hip belt Small, 51-71 cm
802297	Hip belt Medium, 63-83 cm
802298	Hip belt Large, 83-103 cm

**Contents**

1x hip belt  
2x brackets  
6x screws

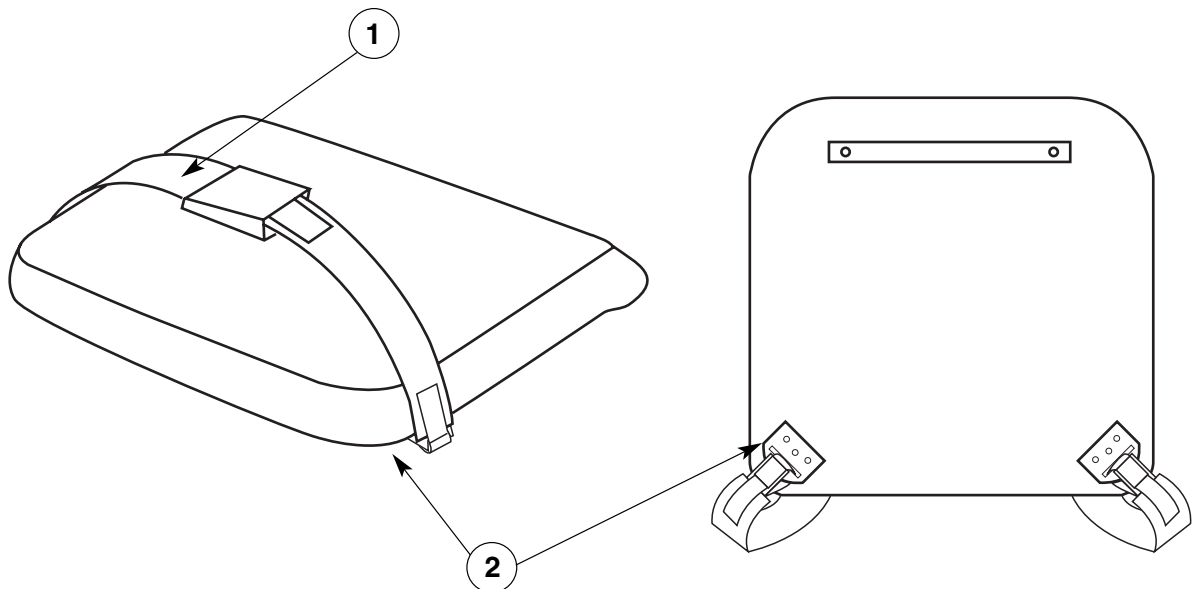
**Required tools**

Cross-slot screwdriver/Screwdriver

**Assembly**

Screw the brackets (2) on both sides into the pre-drilled holes positioned on the underside of the back edge of the seat.

Attach the belt (1) to the brackets (2).



### Item number

800818	Handle, designed for H frame
800819	Handle, designed for X frame
801870	Handle universal, designed for H frame
801869	Handle universal, designed for X frame

### Contents

- 1x frame (1)
- 2x legs (for X frame, r/l) (2)
- 2x plastic adjusting knobs (3)
- 4x screws MC6S M6 (4)
- 4x rubber cloths

### Required tools

- T-bar (Allen key, 5 mm)

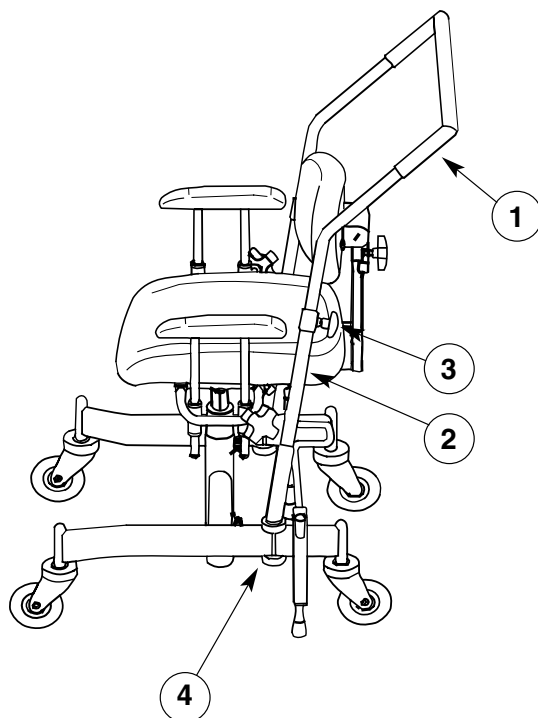
### Assembly

Fit the handles as shown in the illustration. Remember to place the rubber cloths around the frame legs before fitting the legs and lock washers. Adjust the leg position carefully so that the frame fits and slides freely on the leg tubes before you tighten them. Adjust the height of the handle until it is in a comfortable position, then lock using the two plastic adjusting knobs.

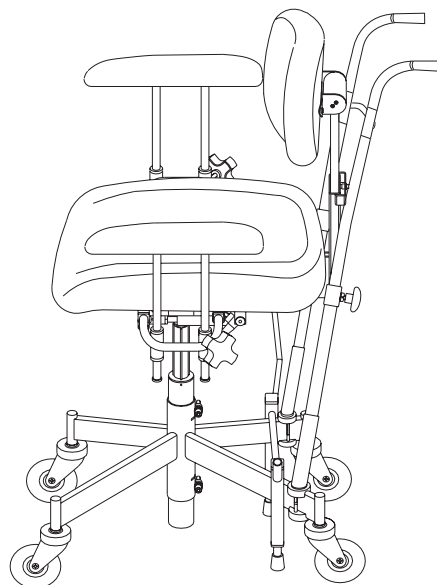
**Note:** The handle is fitted **behind** the brake on the X frame and in **front** of the brake on the H frame.

Check also that the brake is not affected by the fitting.

(Bow)



(Handle)



**Item number**

801844	Fork wedge bracket cmpl, 115 mm, no stop part
801845	Fork wedge bracket cmpl, 175 mm, no stop part
801843	Fork wedge bracket cmpl, 57 mm, no stop part
286XX0	Fork wedge Small 11x11 cm
286XX1	Fork wedge Large 15x15 cm

**XX colour codes can be found in the price list and tryoutforms.**

**Contents**

2x screws MC6S M8  
2x screws MLC6S M6

**Required tools**

T-bar (Allen key, 5 mm)

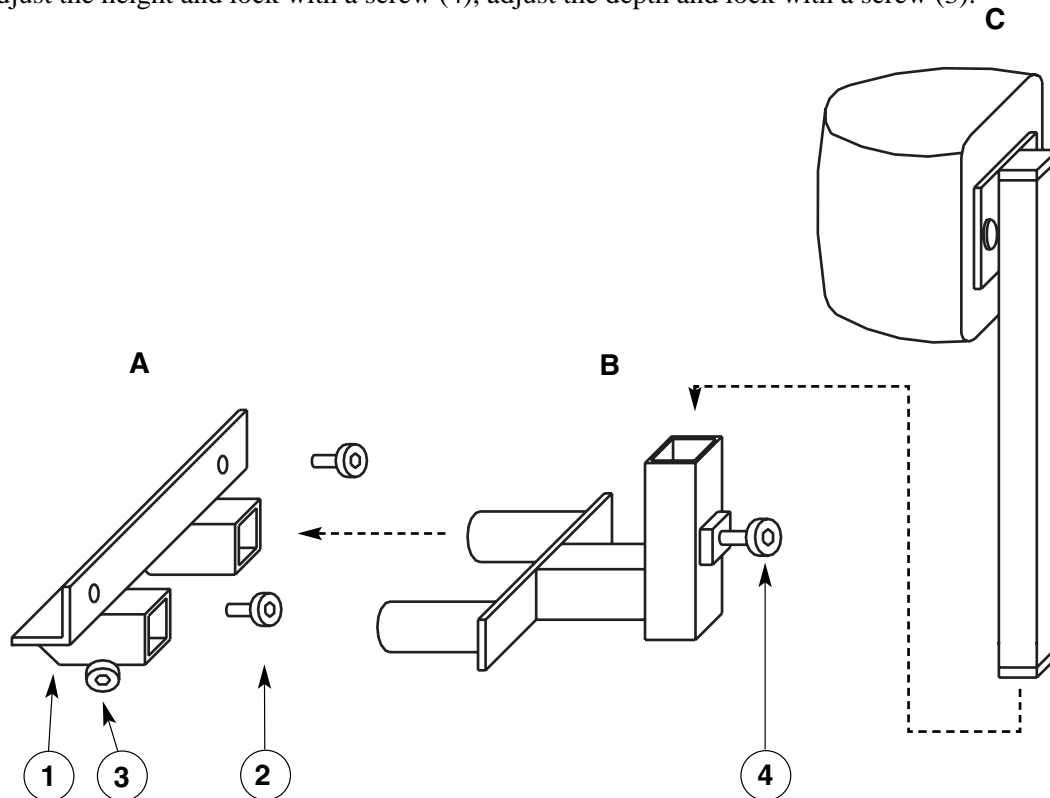
**Assembly**

Fit the bracket (1) to the front edge of the seat frame and attach using the screws (2), along with the (2) frontmost screws that hold the seat in place.

Push in the single stomach support bracket (double if both the stomach support and fork wedge are used), lock using the locking screws (3).

Fit the fork wedge, stomach support or both as shown in the illustration.

Adjust the height and lock with a screw (4), adjust the depth and lock with a screw (3).



**Item number**

800775	Neck support bracket universal, Adult cmpl with bracket. This neck support should be located on backs 40x34 and 42x43
800824	Neck support bracket universal, Child cmpl with bracket. This neck support should be located on Child backs 33x36 - 27x32
270XX0	Neck support cushion Flat 29x16 cm
271XX0	Neck support cushion Curved 31x18 cm
270XX5	Neck support cushion ErgoMedic PLUS 30x23 cm

**XX colour codes can be found in the price list and tryoutforms.**

**Required tools**

Cross-slot screwdriver/Allen key, 5 mm

**Assembly**

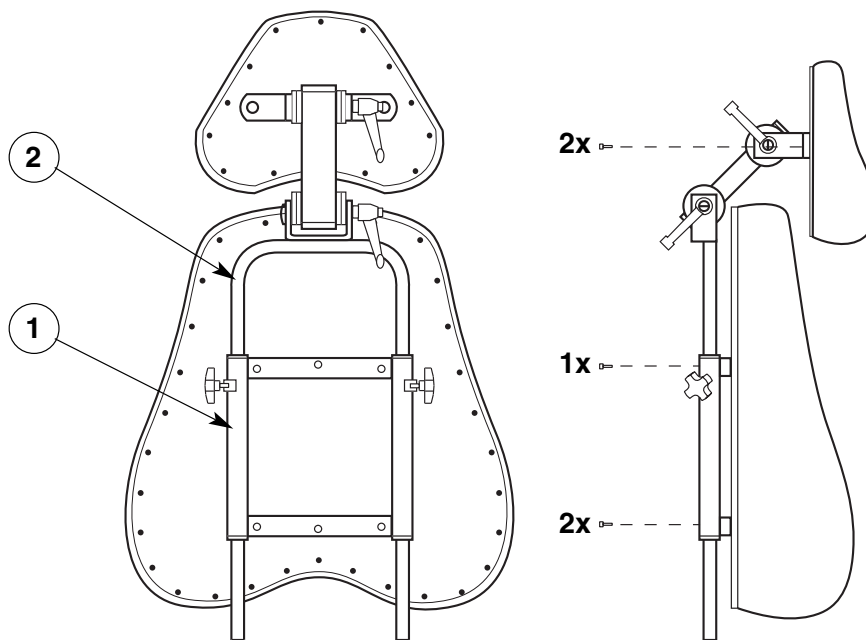
Remove the backrest from the chair.

Then screw on the lower neck support bracket (1) between the backrest and the back pillar. Note: The neck support must be fitted using M6x25 screws.

Push the rest of the neck support (2) into the bracket (1).

Adjust the neck support so that it is at an appropriate height and provides plenty of support for the neck.

Lock all plastic adjusting knobs and handles.



**Item number**

800823	Side support brackets r + l
276XX0	Side support cushion L, 30x16 cm
276XX1	Side support cushion M, 25x14 cm
276XX2	Side support cushion S, 28x8 cm

**XX colour codes can be found in the price list and tryoutforms.**

**Contents**

- 2x side support cushions (1)
- 4x retaining screws (2)
- 2x width adjustment brackets (3)
- 2x height adjustment brackets (4)
- 4x adjusting screws (5)

**Required tools**

T-bar (Allen key, 5 mm)

**Assembly**

Start by lifting the armrest tube (6) out of the width adjustment frame (7).

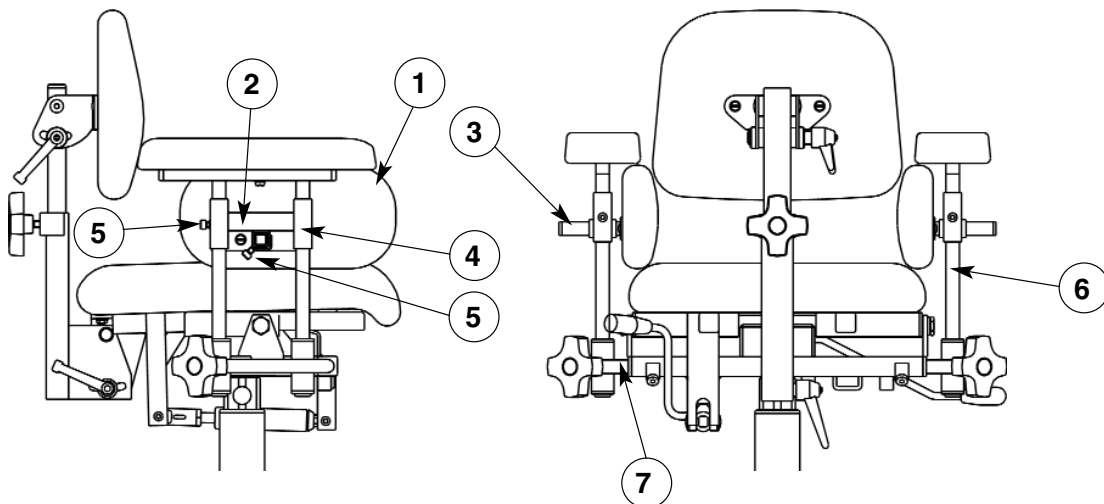
Then fit the height adjustment bracket (4) on the armrest tube.

Insert the width adjustment bracket (3) into the height adjustment bracket and check that the side support cushion can be adjusted in situ.

In some cases, turning the height adjustment bracket may work better: the tube for the width adjustment bracket is then located on the top of the bracket.

Refit the armrest tubes and adjust the side support cushions in situ.

Tighten using the retaining screws (5).



**Item number**

801152 Control lever for gas spring-controlled seat angling

**Contents**

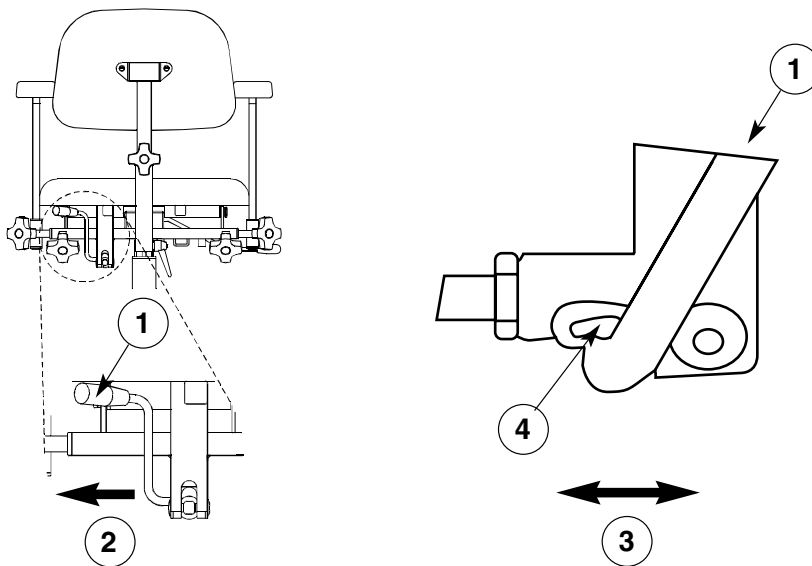
1x control lever

**Assembly**

Pull the control lever (1) horizontally to one side (2), while at the same time tilting it back and forth (3) in the groove (4) in which it is located.

When the old lever has worked loose, place the new one in the groove (3). The new lever is fitted in a similar manner to the way in which the old one was removed.

When the new control lever is fitted, it should be slightly loose so as not to affect the gas piston.



**Item number**

801294 Ring for repeatable setting of armrest height

**Assembly**

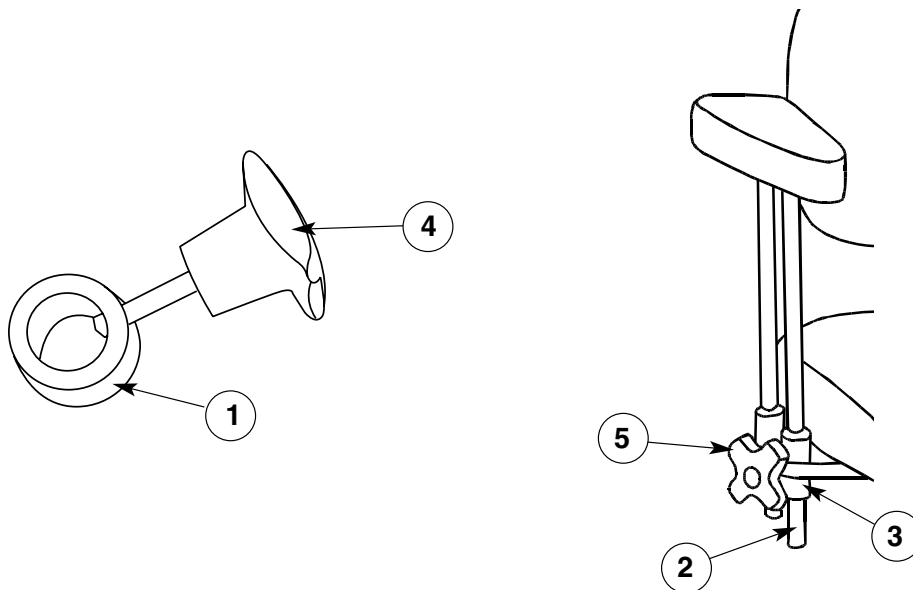
Set the required armrest height.

Fit the stop ring (1) on the rear armrest tube (2) so that it touches the underside of the armrest frame (3).

Then lock the stop ring using the adjusting knob (4).

The armrest can now be easily reset to the same height as before once it has been lowered, e.g. to facilitate moving the user sideways into and out of the chair.

Pull up the armrest until the stop ring reaches the armrest frame, then lock the armrest as usual using the adjusting knob (5).



**Item number**

800821	Frame extender, X frame with M12 thread
800914	Frame extender, X frame with 3/8" thread
800822	Frame extender, H frame with M12 thread
800915	Frame extender, H frame with 3/8" thread

**Contents**

- 1x wheelbase extender, right (1)
- 1x wheelbase extender, left (1)
- 2x lock plates (4)
- 2x screws M12 or 3/8" (2) with washer (3)
- 4x socket head cap screws M8x40 (5) with lock nut (6)

**Required tools**

- Ring spanner, 19 mm or 9/16"
- Allen key, 6 mm
- Ring spanner, 13 mm
- Loctite 243

**Assembly**

To fit the wheelbase extenders, unscrew the wheels from the frame.

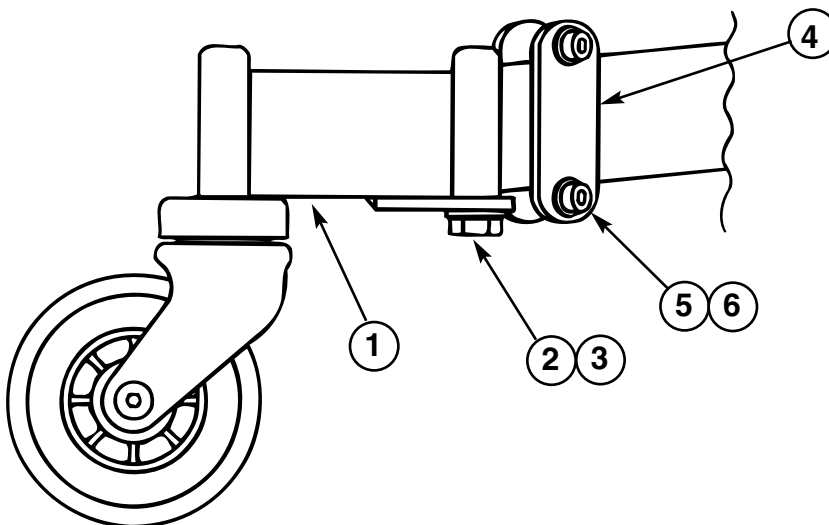
To remove the old wheel, use a 19 mm ring spanner (for Real 9000 chairs) or a 9/16" ring spanner (3/8 bolts are used for REAL 1000-4000).

Alternatively, you can remove the wheel using two Allen keys (5 mm) and then unscrew the old clamp using a box spanner, for example.

Then fit the wheelbase extenders as shown in the illustration below.

They should point straight back, with the lock plates on the outside of the legs.

The fit the wheels onto the frame extender. The bolts are glued using Loctite 243 and tightened to **80-90 Nm**.



### Item number

801768	Pivoting and adjustable trunk support mechanism, r + l
801775	Trunk support cushion (curved)
801776	Bracket for specially adapted trunk support cushion (individual adaptation of cushion)

### Required tools

T-bar (Allen key, 5 mm)

### Assembly

#### Note:

Only high child backs are prepared for trunk support.

If you have a chair manufactured before January 2001, there are no insert nuts located in the back.

A new back can be ordered from Mercado Medic.

Feel where the insert nuts are located in the chair back. Cut a small cross in the fabric for every insert nut you locate (x4).

Fit the trunk support as shown in the illustration, then tighten the screws supplied in position (1) using the Allen key.

Fit the other trunk support in the same way.

To adjust the width, make sure that the adjustment bolt (4) is in locked position. Then undo the screw (3). Adjust the width with the user in the chair. Tighten the screw (3).

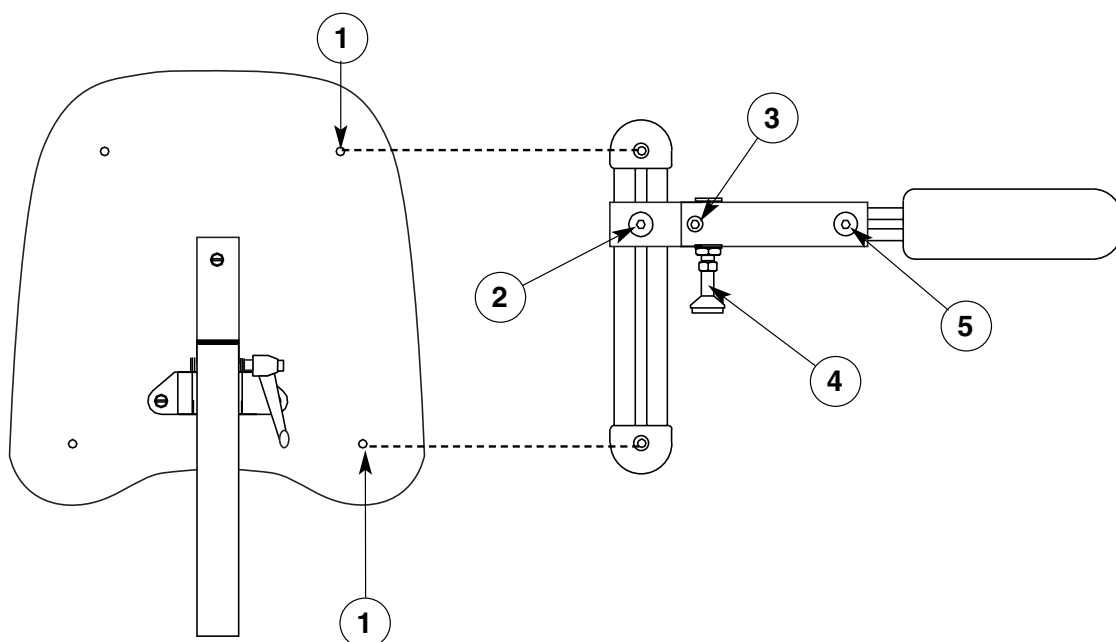
Undo the lock screw (2) and adjust to an appropriate height. Then tighten the lock screw (2).

Note: You do not need to use a lot of force.

To adjust the depth, undo the lock screw (5). Move the cushion forwards or back as required.

Then tighten the lock screw (5).

Note: You do not need to use a lot of force.





**Item number**

801225 Lock screw M18x1 for Fixlyftomat (3)

**Required tools**

Non-adjustable spanner, 19 mm

Allen key (6 mm)

**Assembly**

Turn the rotating body until the 5 mm hole appears in the centre of the mounting hole for the rotary lever (1).

Then screw in the lock screw (3) using a non-adjustable spanner (19 mm) until it bottoms out.

Undo the screws (2) on the frame using a 6 mm Allen key, then turn the frame so that the brake is at the back.

Then tighten the screws (2) on the frame again.

Tighten the screws in the frame to a torque of 16 Nm for the upper screw and 24 Nm for the lower one.

Check that the Fixlyftomat can be raised and lowered.

